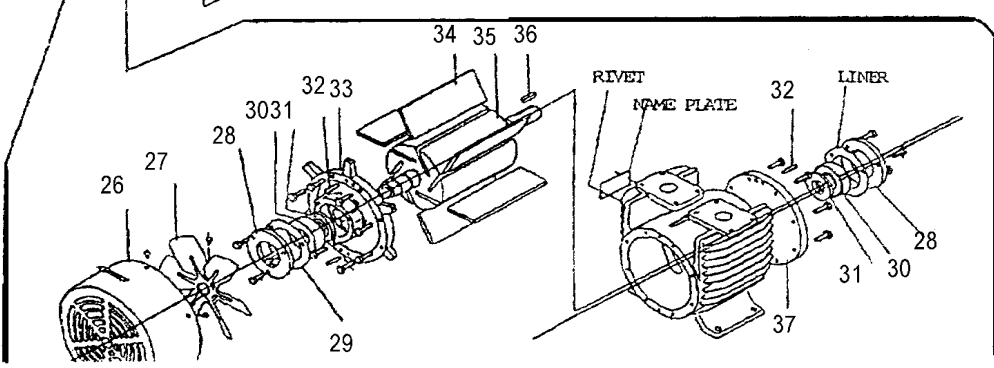
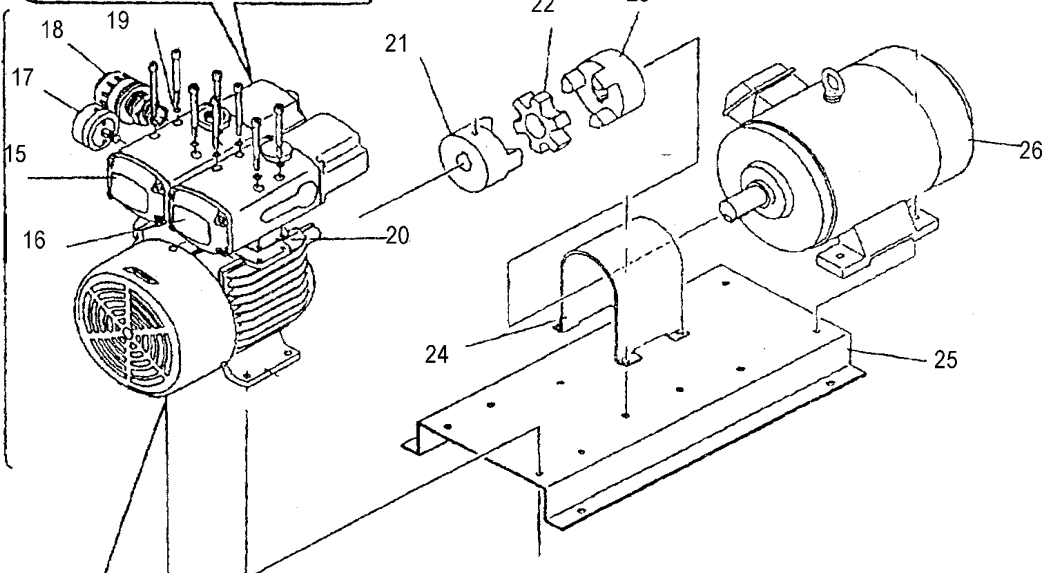
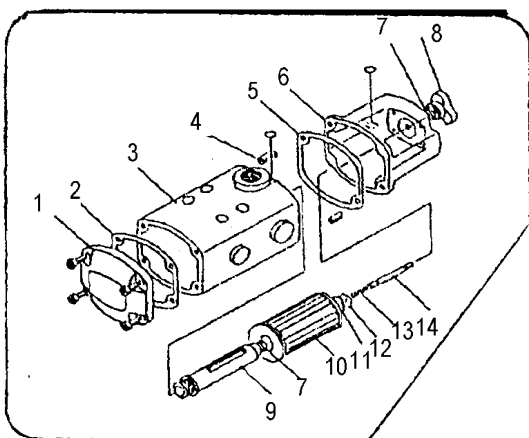


#	Part name	Part number	
1	Cap	3000010010	2
2	Gasket	4000020010	4
3	Case (A)	1030078010	1
4	Spring Pin	33641205110	2
*5	Rubber Packing	4006914010	2
6	Filter Case KRA-8	2000002010	1
*7	Packing	4001458010	
8	Knobnut Assembly	4034947020	2
9	Filter Pipe	4002811010	1
10	Filter Element	4000451010	2
11	Packing	4002868020	1
12	Washer	4000830010	1
13	Spring	4000320010	2
14	Stay Bolt	4000023010	1
15	VFA8 Assembly	3000216010	1
16	MFA8 Assembly	3000209010	1
17	Vacuum Gauge	4040737010	1
18	Vacuum Regulator	30000205010	1
19	Gasket	4000043010	8
20	Manifold Gasket	4000018010	2
21	Coupling Pump side	4000339030	1
22	Spider	4002338030	1
23	Coupling Motor Side	4000339090	1
24	Coupling Cover	3040705010	1
25	Base	3000122010	1
26	Fan Cover	3040701010	1
27	Cooling Fan	3000024030	1
28	Bearing Retainer	4009352040	2
29	Liner	Liner	
30	Bearing	39002106220	2
31	Spacer	4000036010	2
32	Taper Pin	33611114100	4
33	Side Plate F.S.	3000017010	1
34	Vane/Blade	4007480010	6
35	Rotor	2000767010	1
36	Key	33300612000	1
37	Side Plate M.S.	3000018010	1
*38	Pressure Gauge	4002320010	1
*39	Pressure Controller	3000048010	1



Jallo Equipment and Supply Inc.
 2030 West Parkes Drive
 Broadview, IL 60155

(708)410-1780 Phone
 (708)410-1790 Fax

www.jallo.com Web site
 jallo@ais.net E-Mail

**Orion Dry Vacuum Pump
 Model KRA-8
 Parts Breakdown**